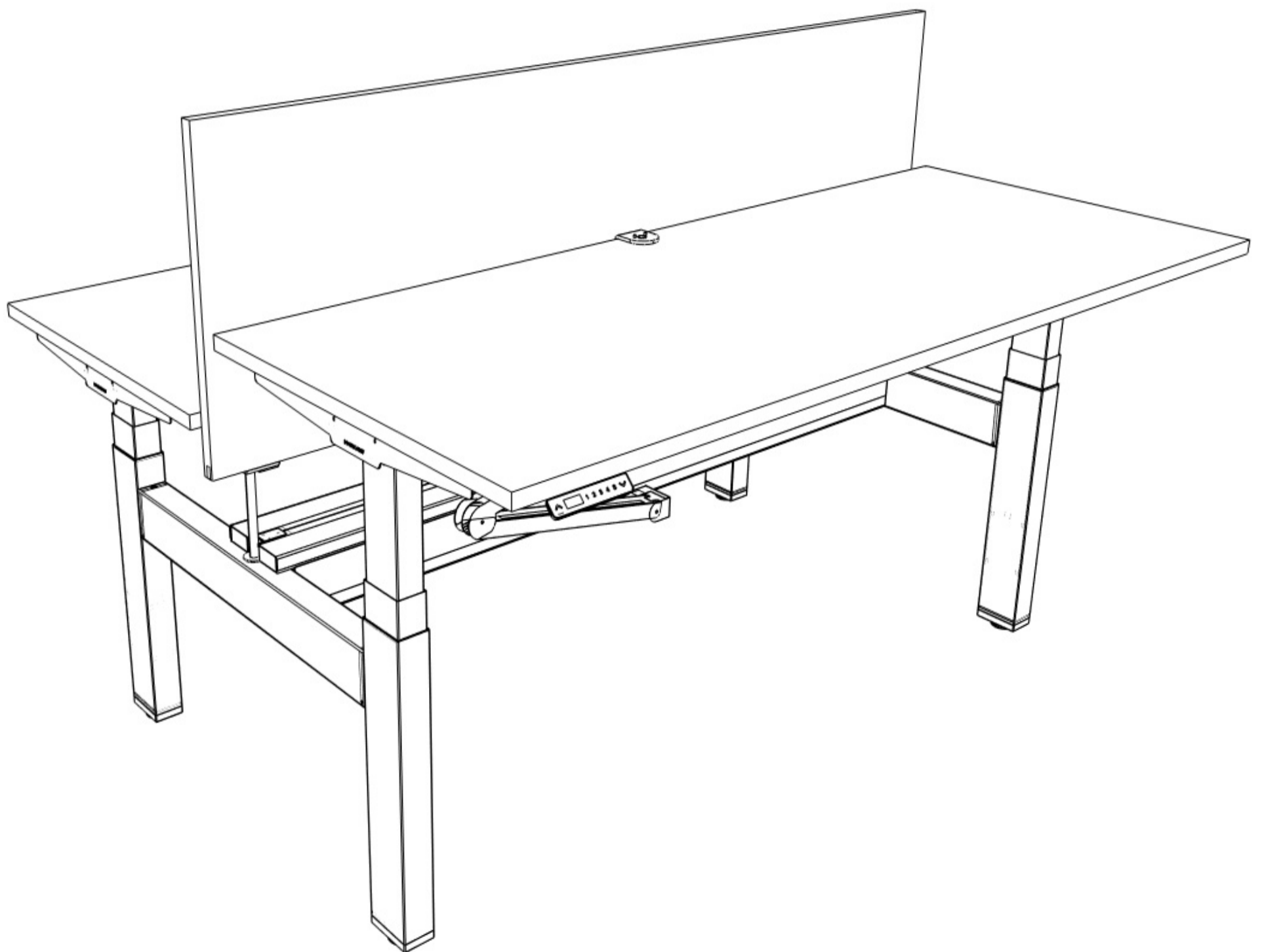
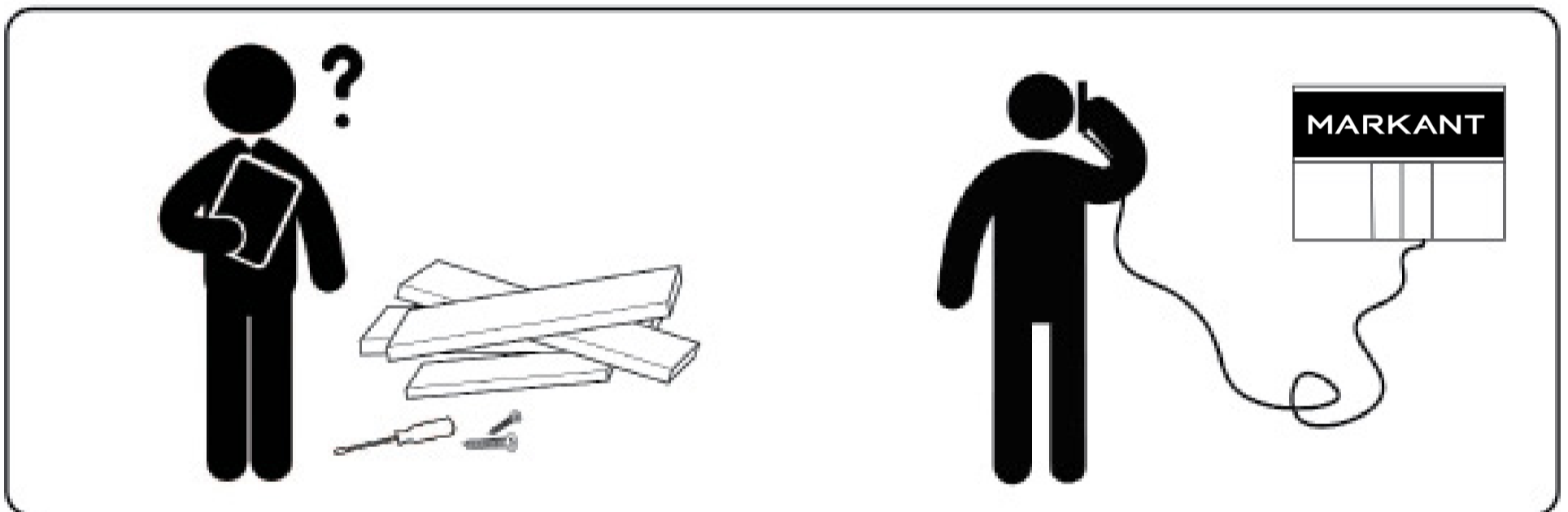
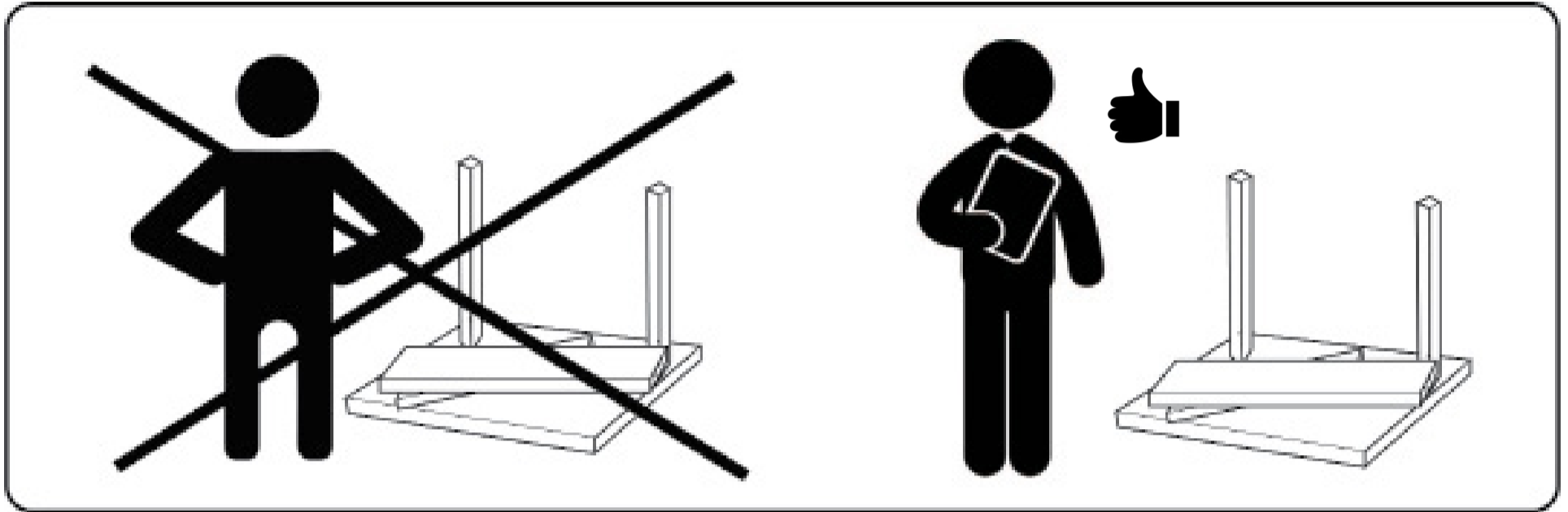


MATRIX PRO INSTALLATION MANUAL

CABLE GUTTER & SCREEN

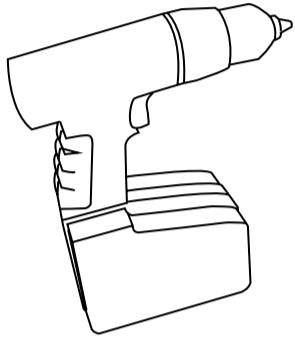




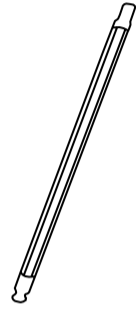
INDEX

Chapter	Page
<u>MATRIX PRO CABLE TRAY WITH ELBOW</u>	page 5 - 8
<u>MATRIX PRO TABLE TOP</u>	page 9
<u>MATRIX PRO FRAMELESS SCREEN BRACKET</u>	page 10 - 11
<u>MATRIX PRO INTERTRUNK & INBETWEEN LID (optional)</u>	page 12 - 13

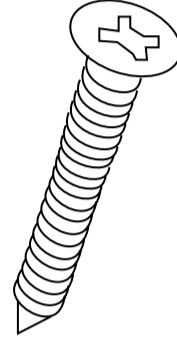
HARDWARE



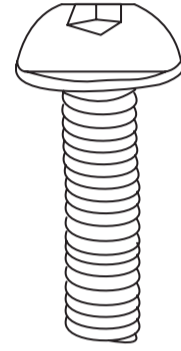
Power tool



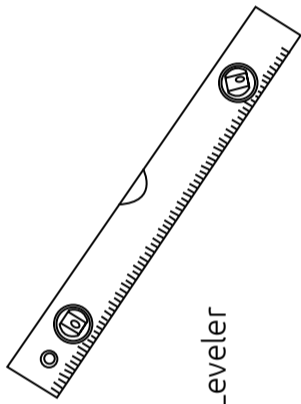
Allenkey



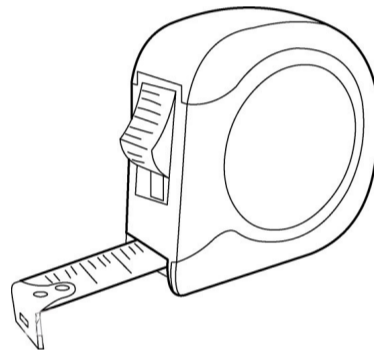
p/h Chipboard Screw
5x20



Button cap M6 x40



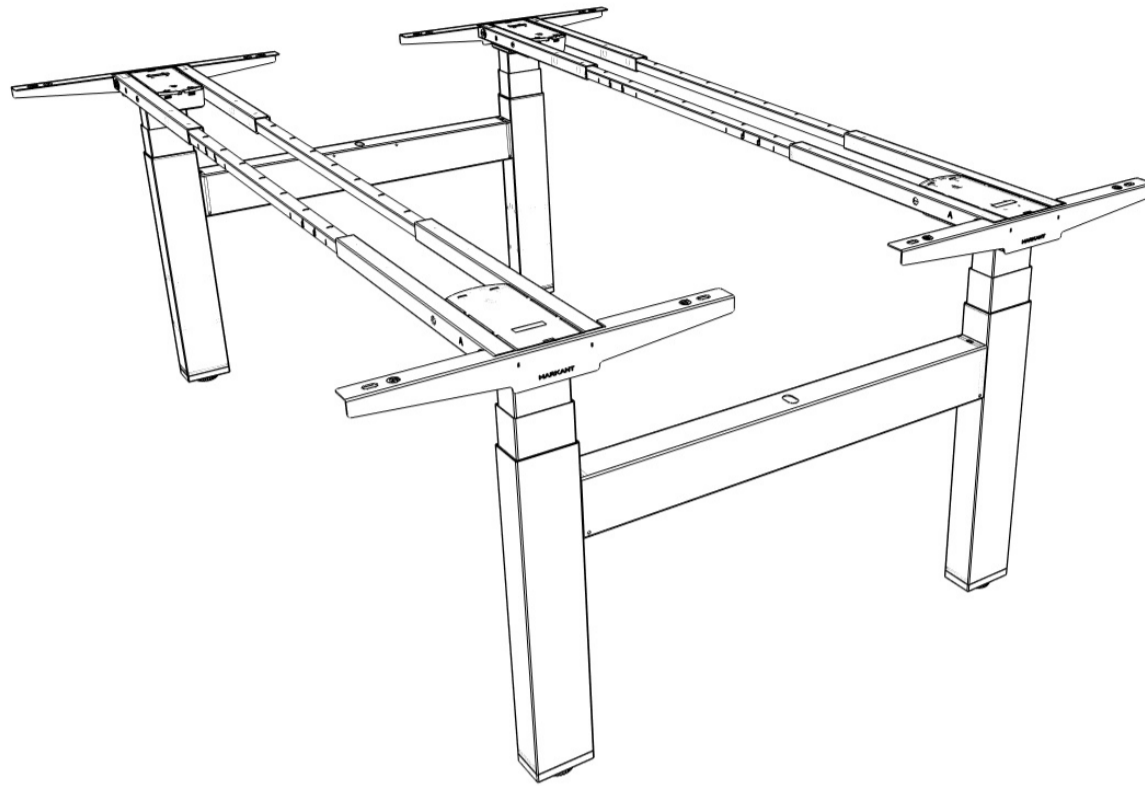
Leveler



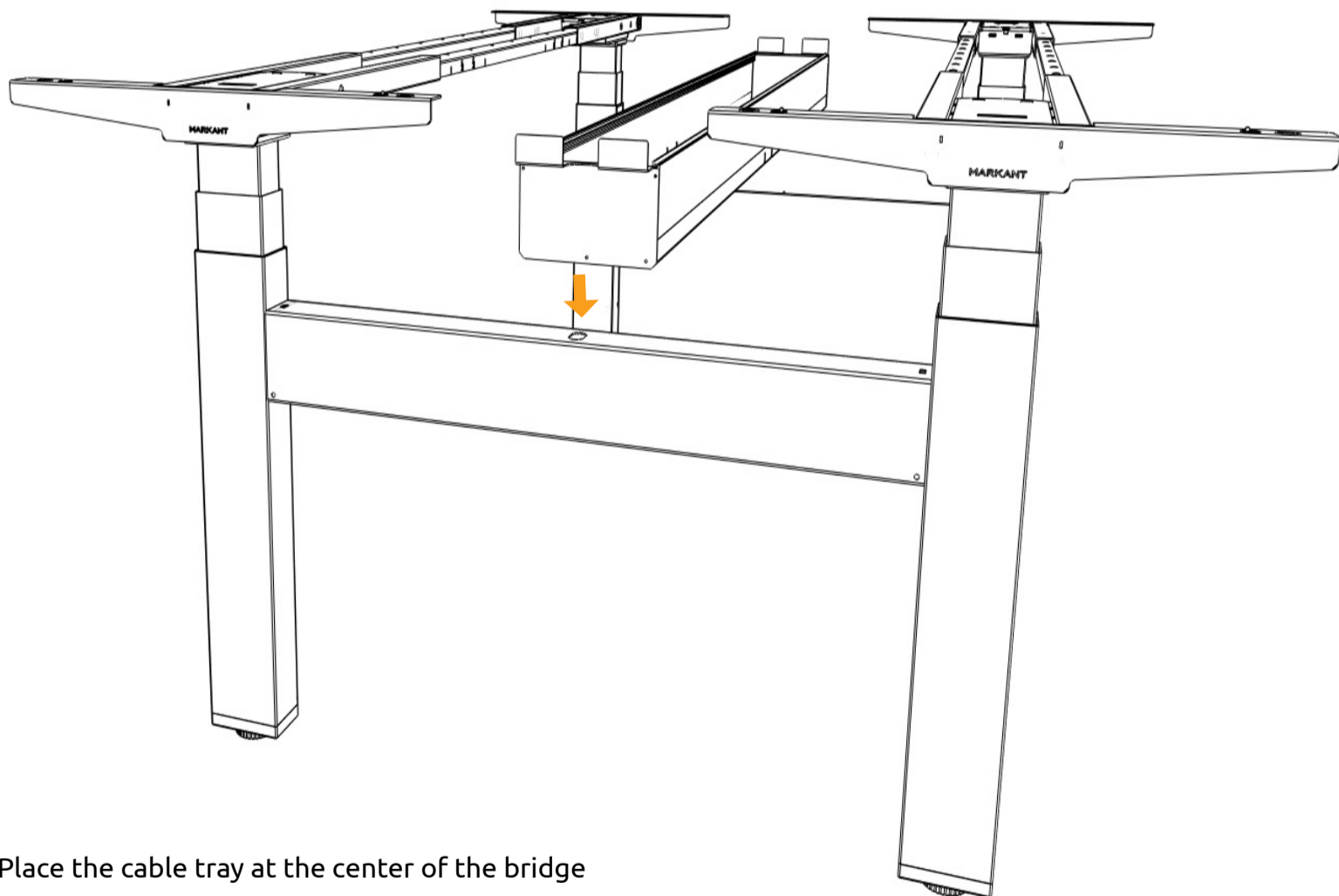
Measuring Tape

***POWER TOOL, ALLEN KEY & LEVELER ARE NOT INCLUDED**

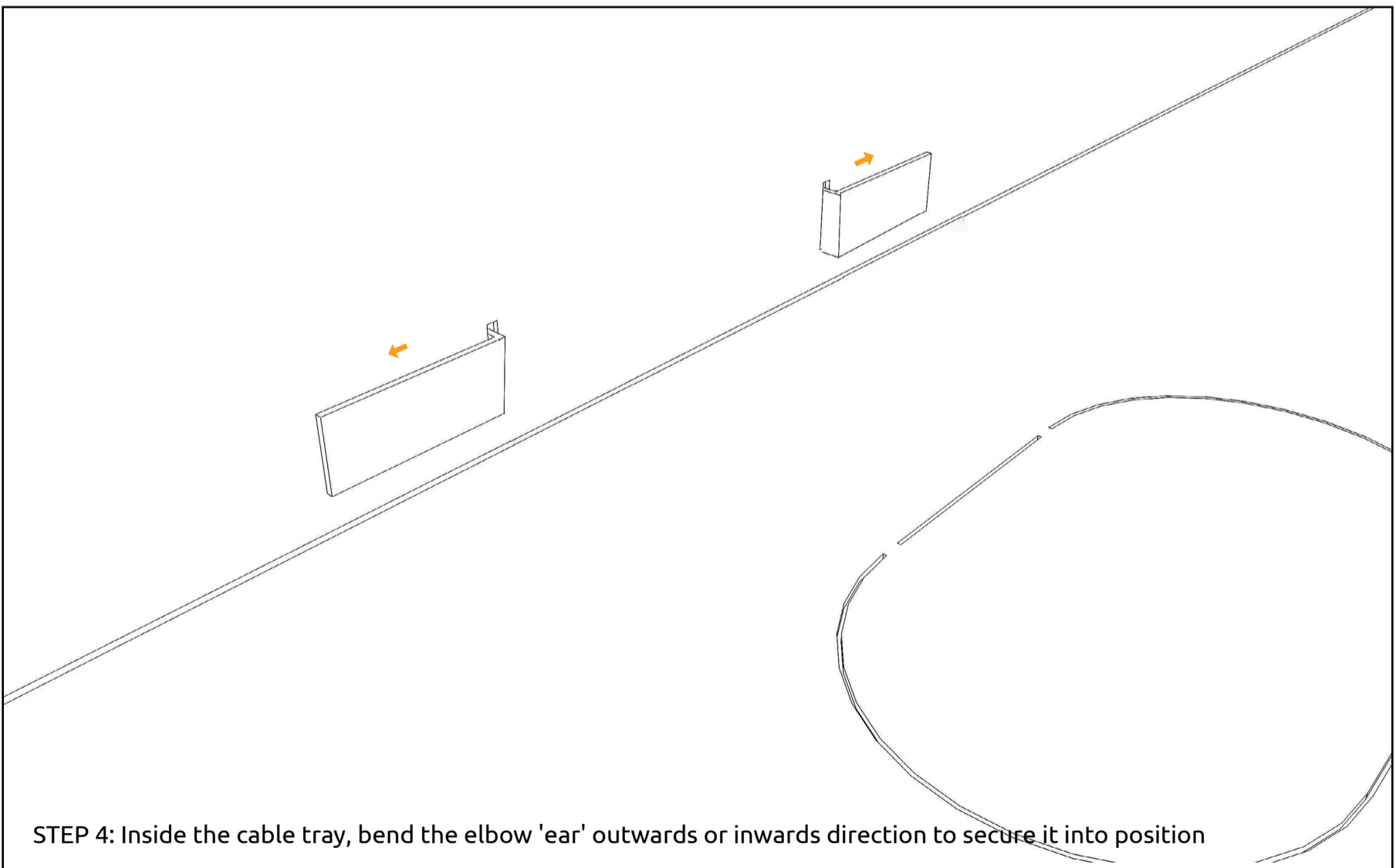
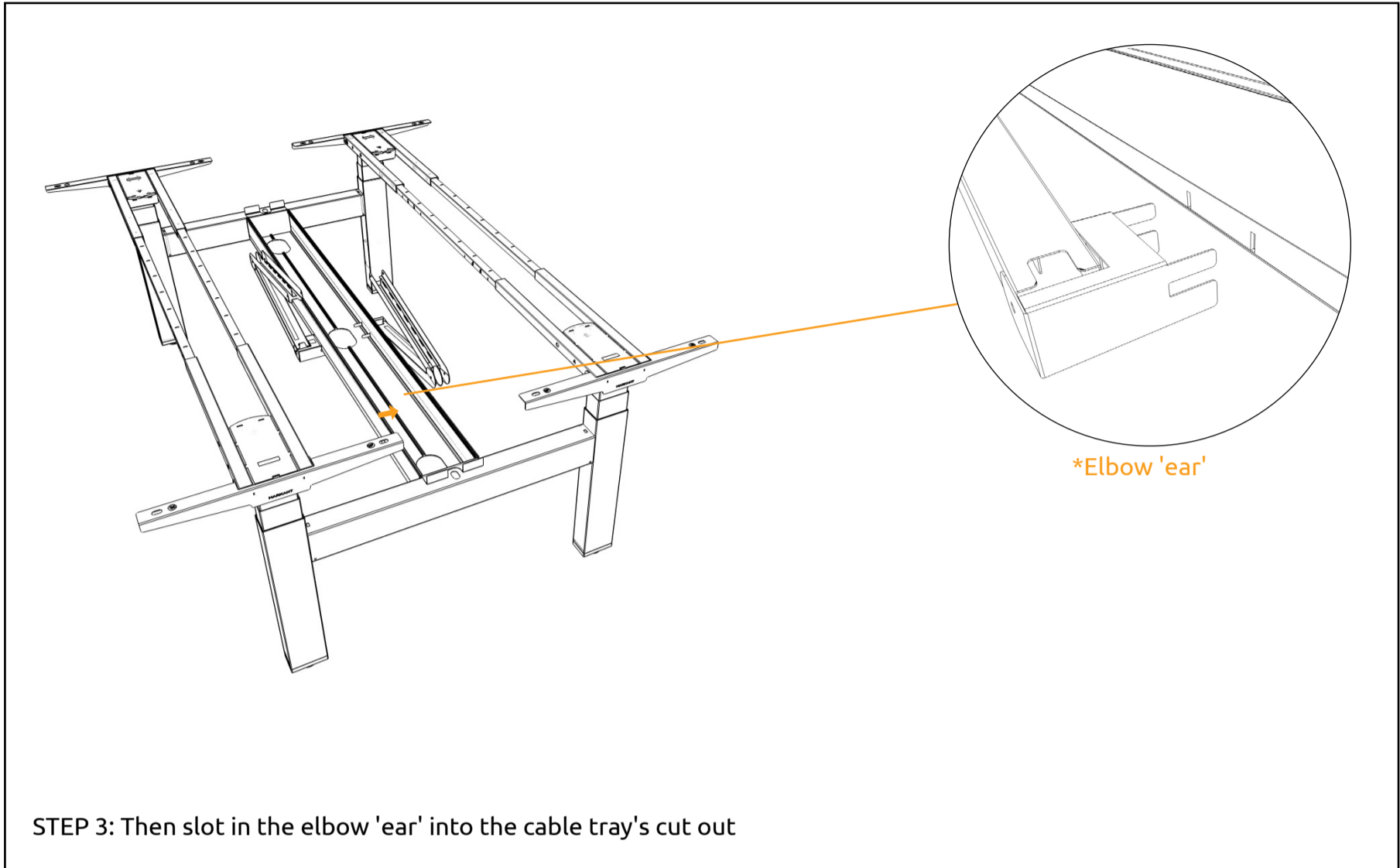
MATRIX PRO CABLE TRAY WITH ELBOW

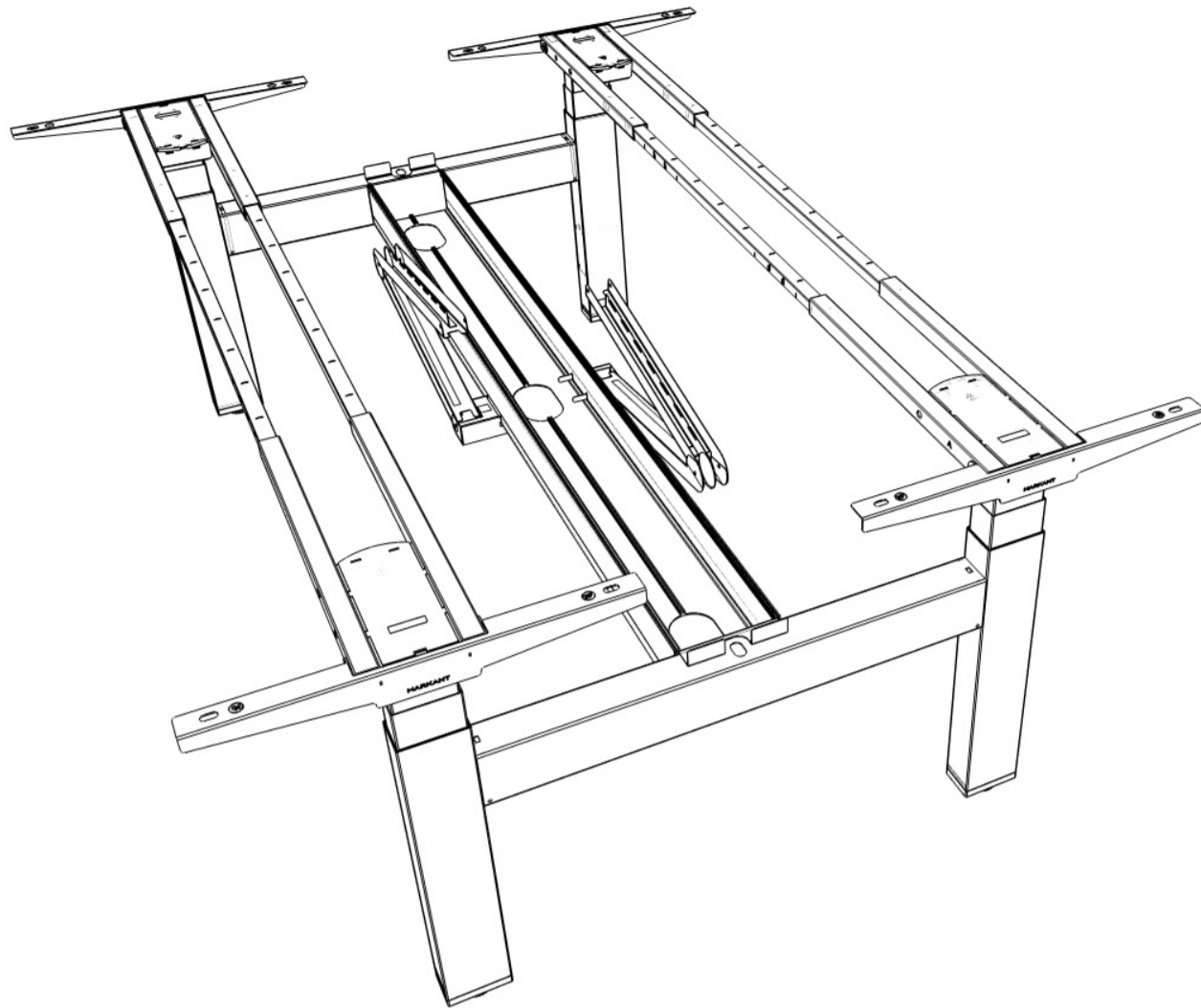


STEP 1: Matrix Pro combi desk has been assembled according to the size

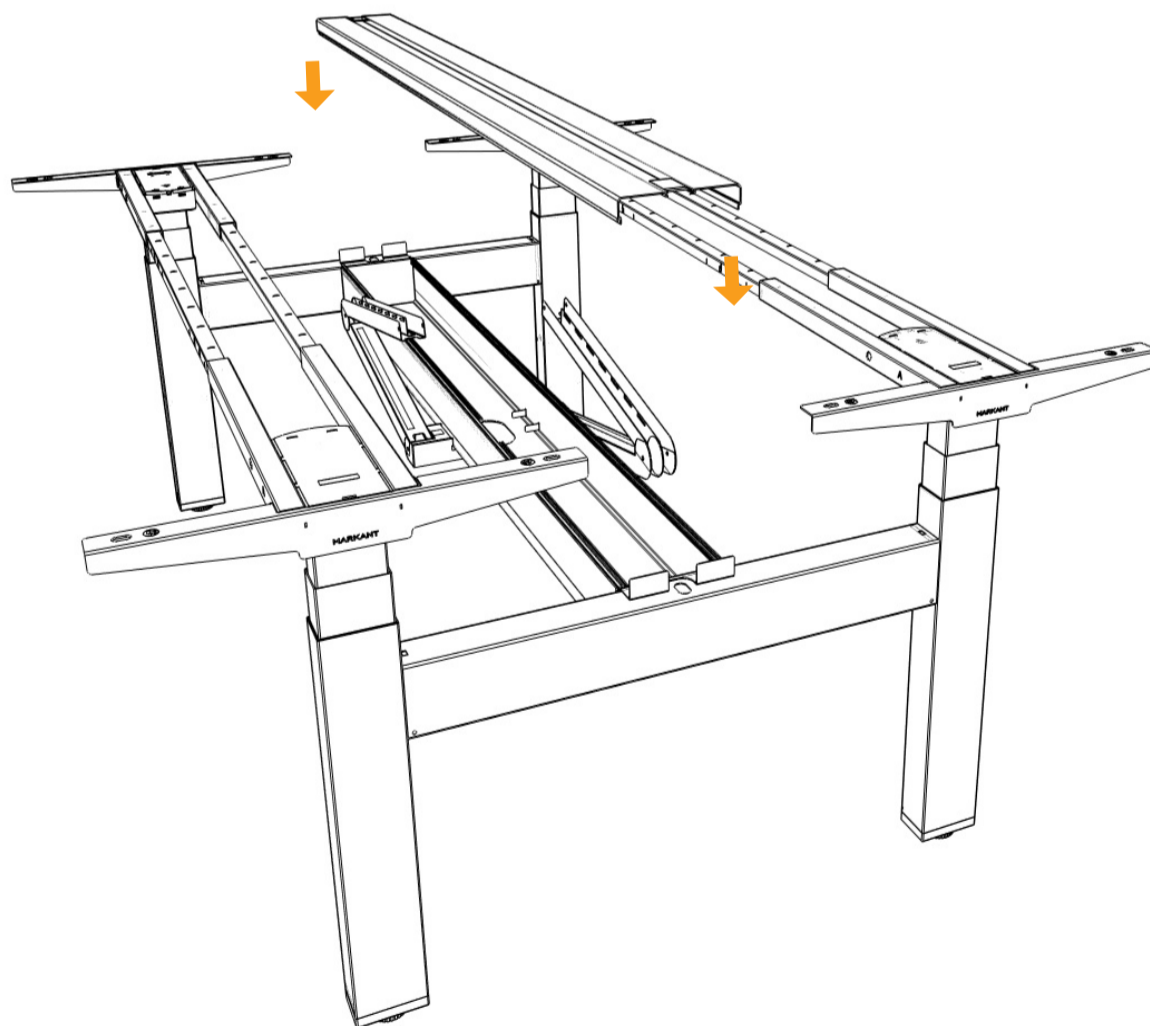


STEP 2: Place the cable tray at the center of the bridge

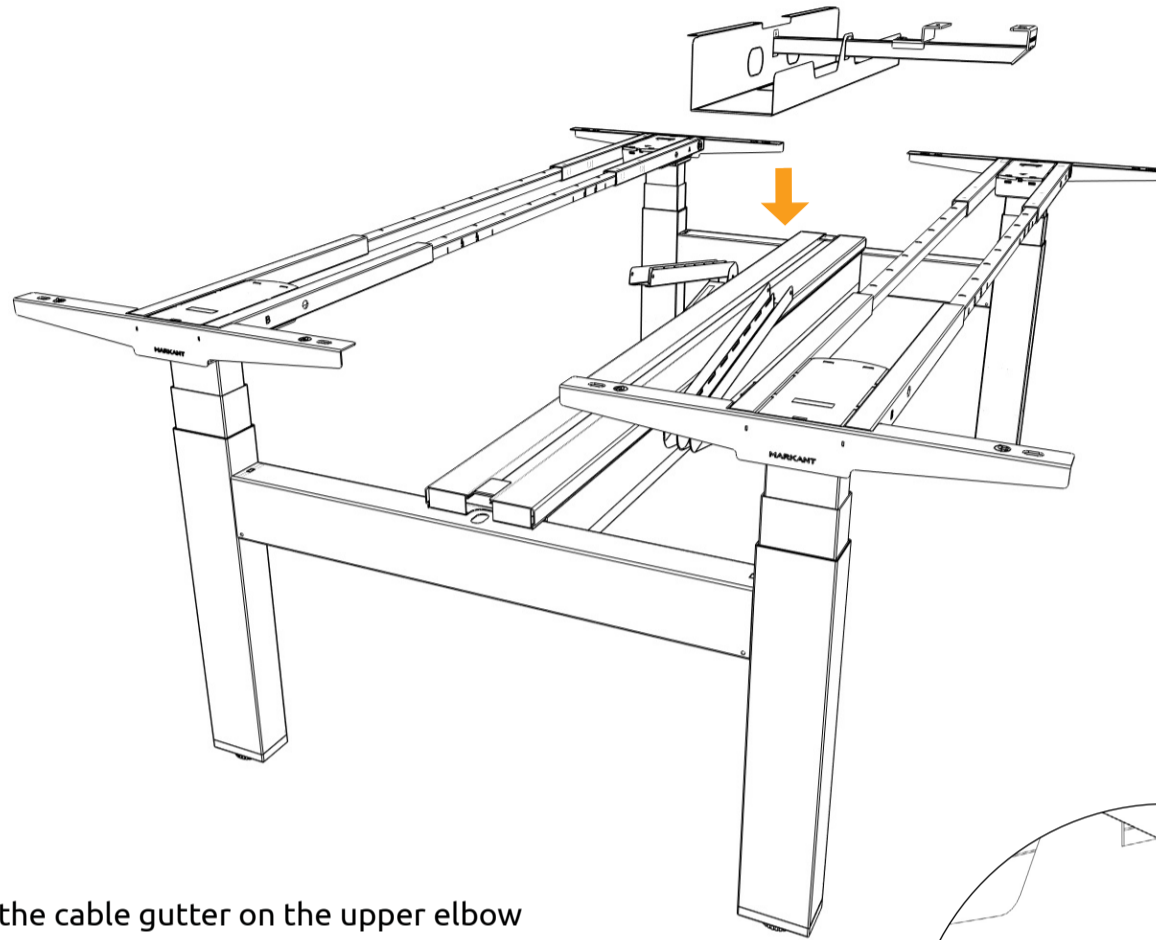




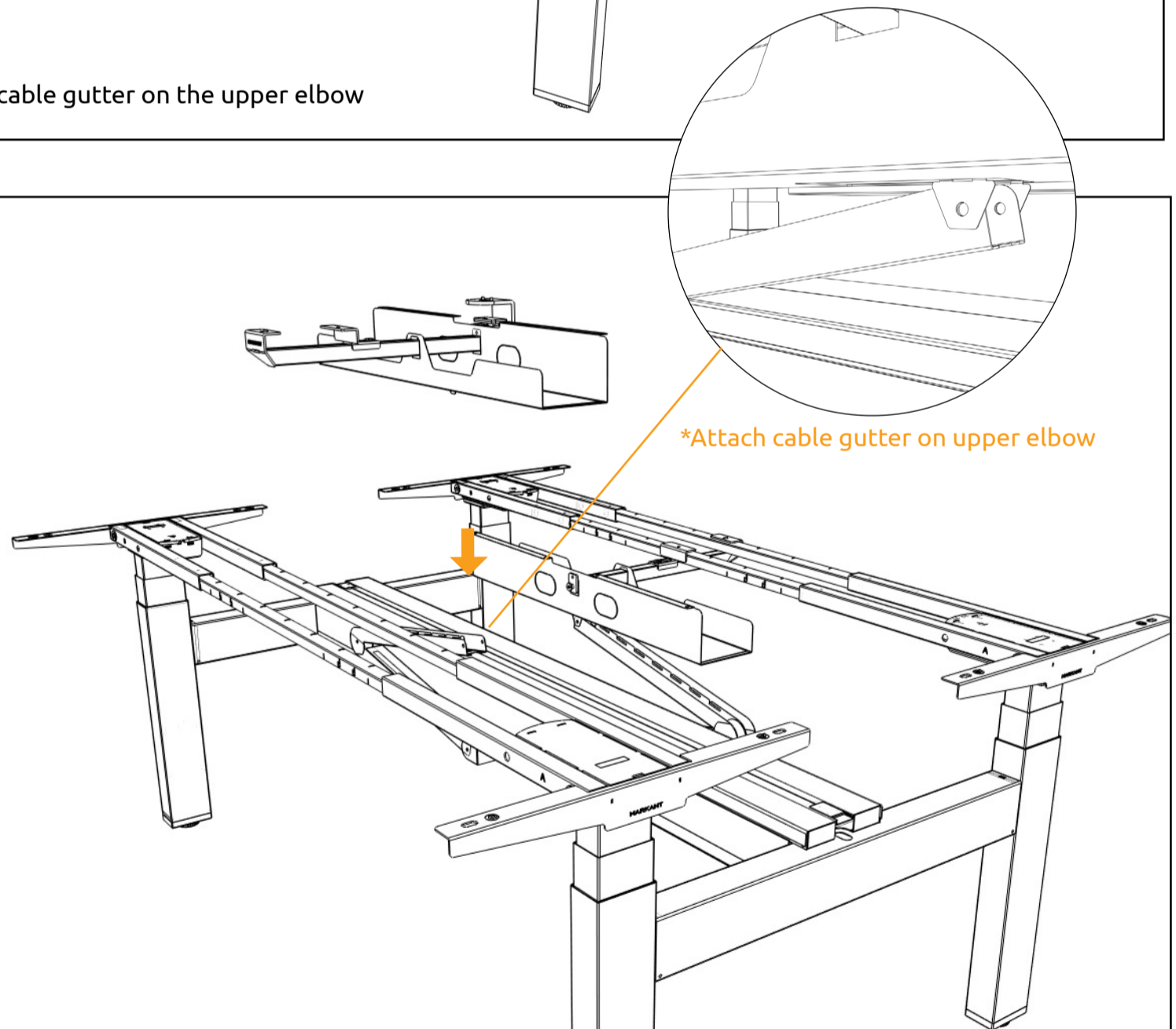
STEP 5: Do the same for the other side



STEP 6: Place the cable tray lid on top of cable tray



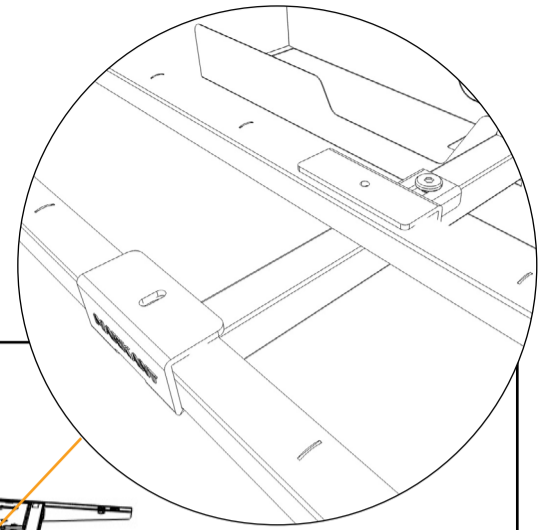
STEP 7: Attach the cable gutter on the upper elbow



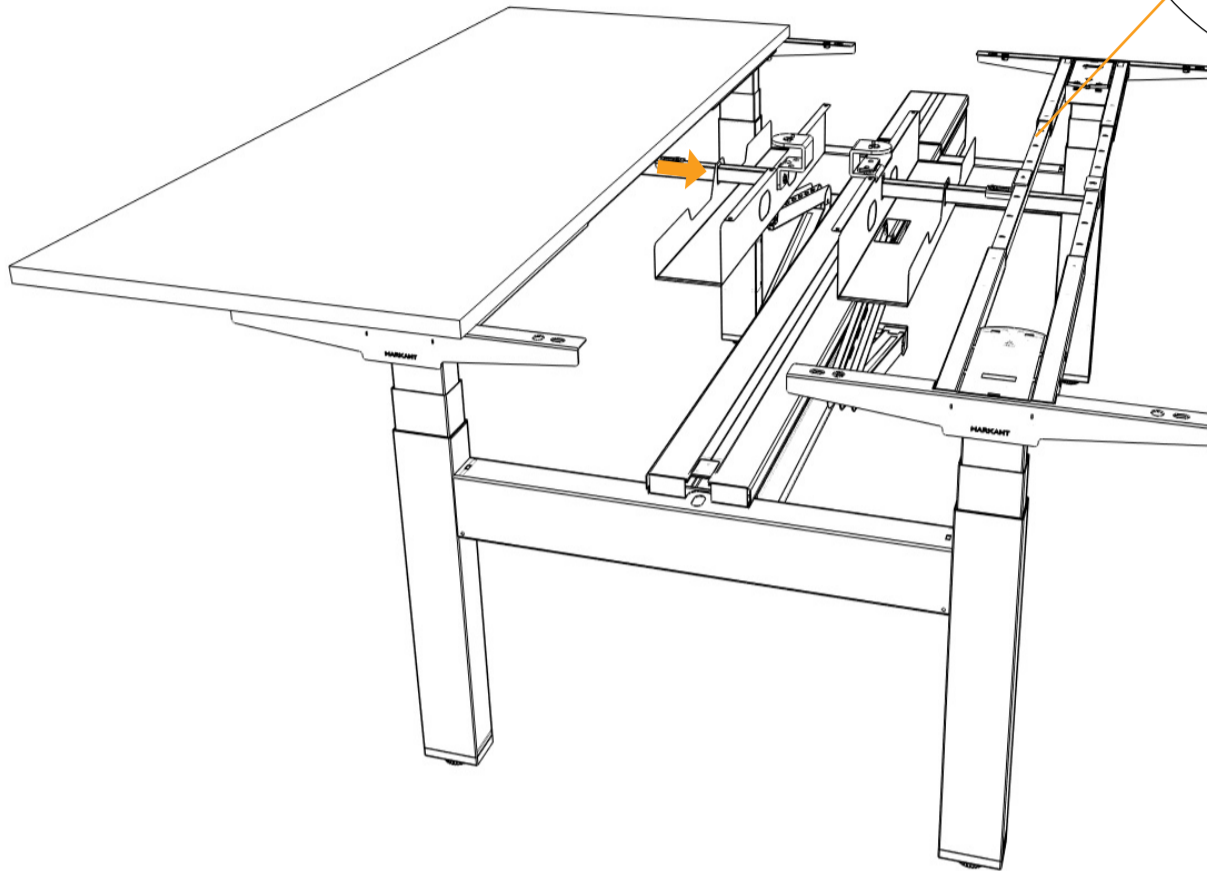
*Attach cable gutter on upper elbow

STEP 8: Do the same for the other side to complete the installation

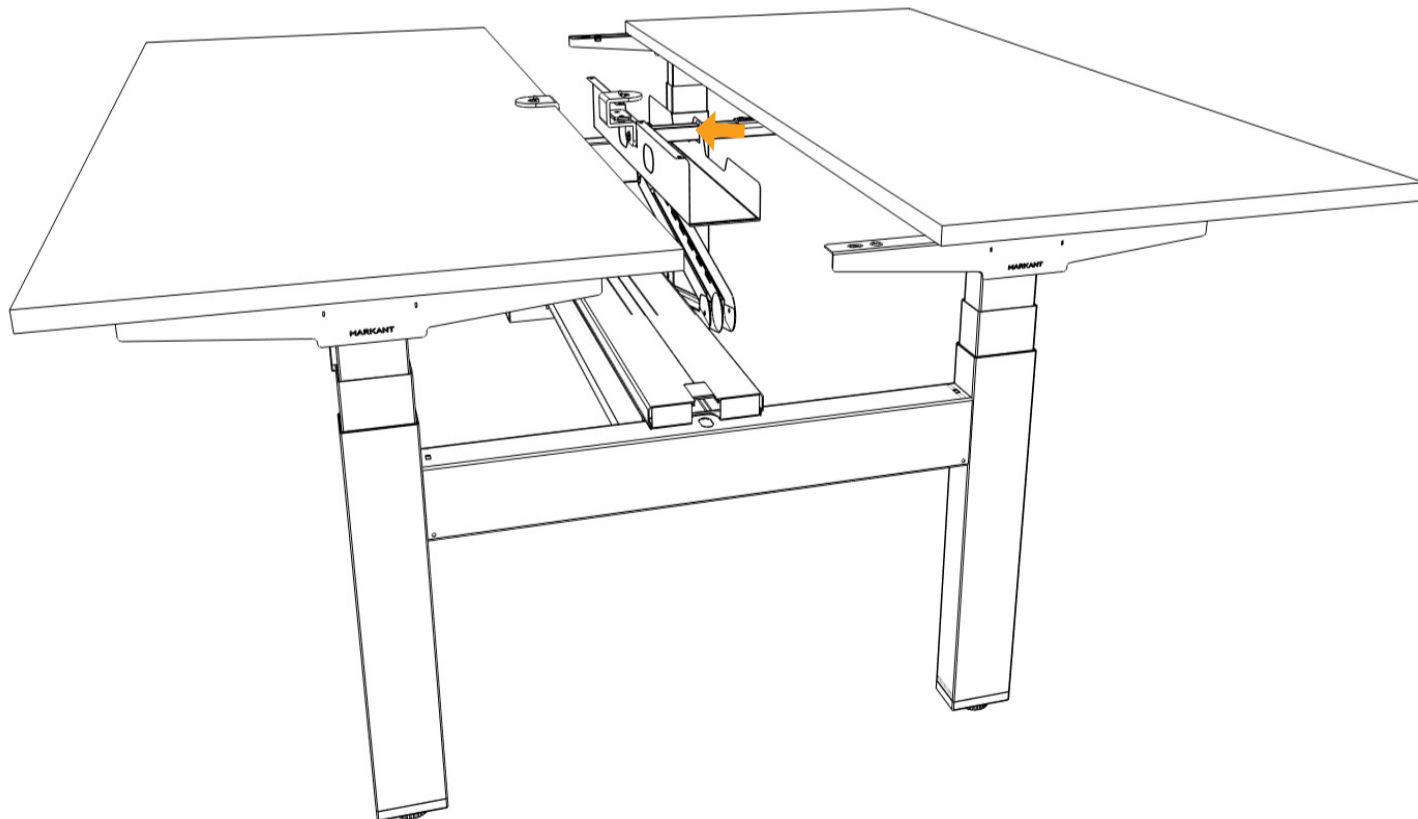
MATRIX PRO TABLE TOP



*Install the smart holder bracket by sliding and lock the screw with M5 allen key

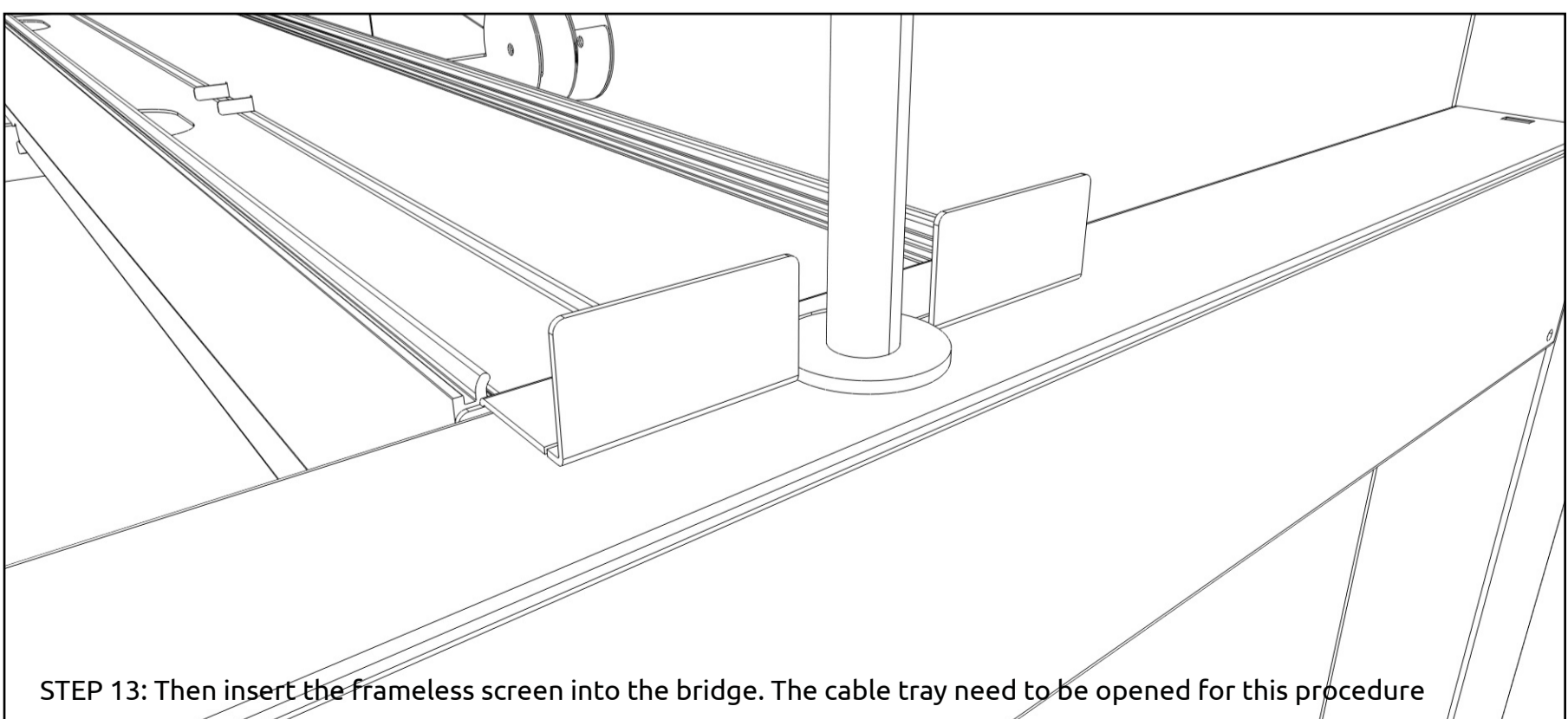
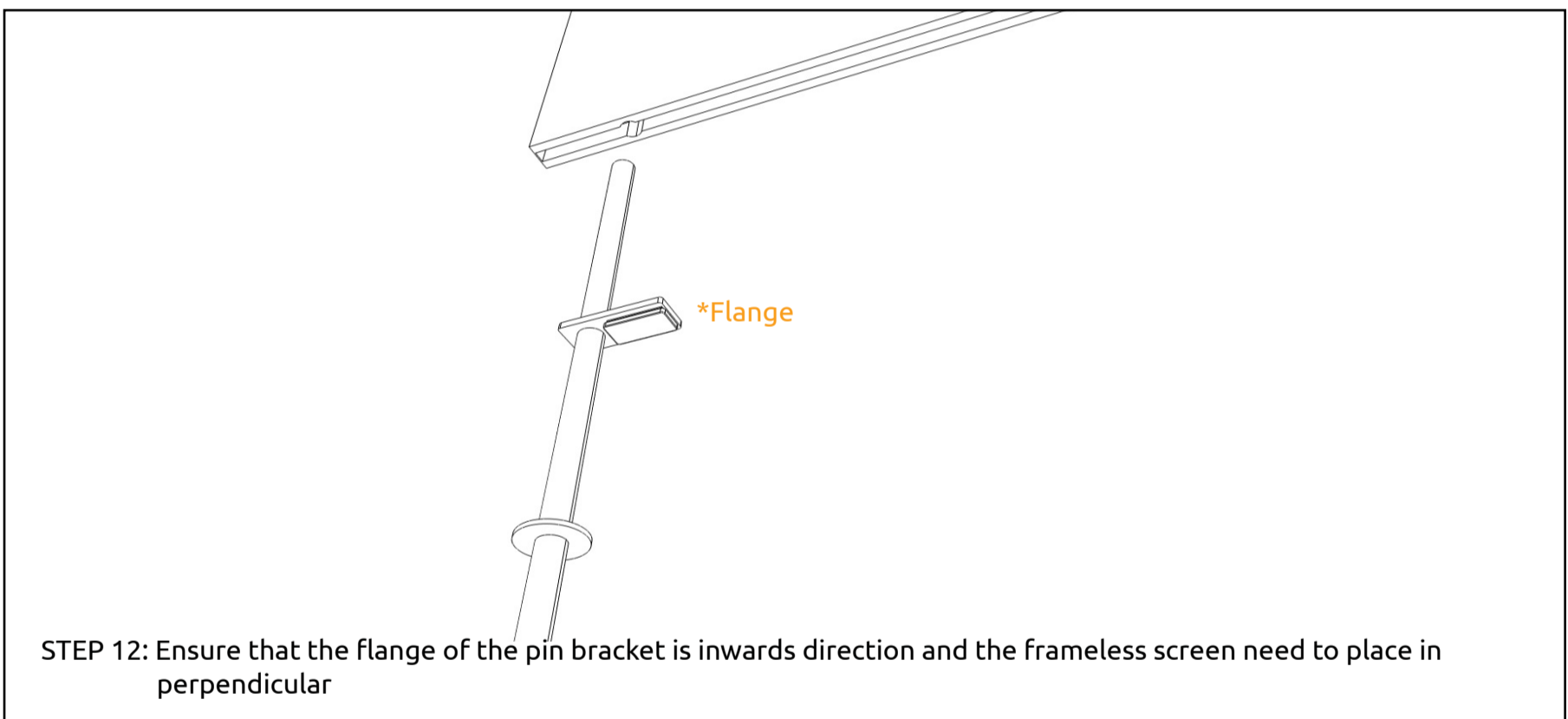
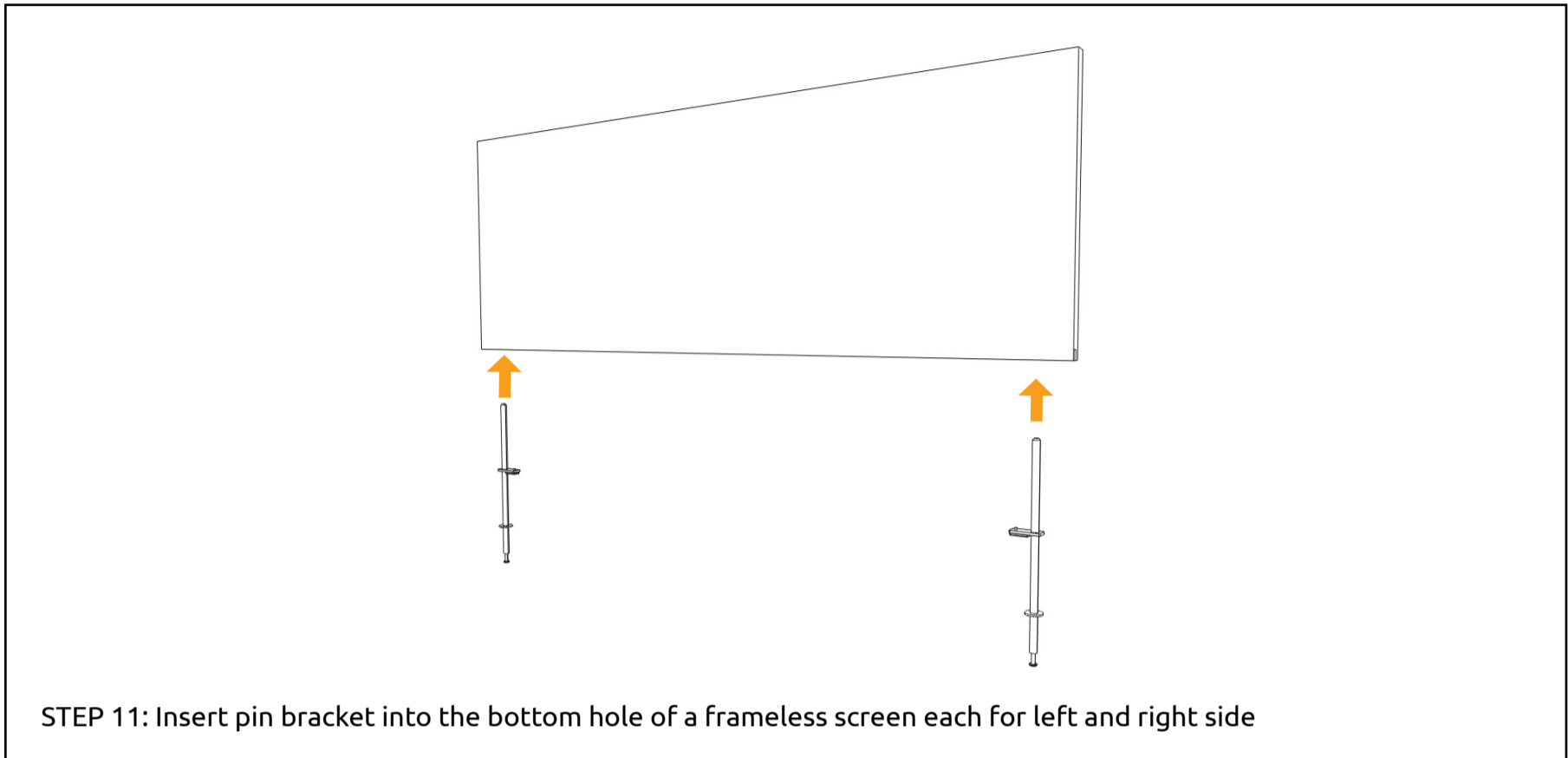


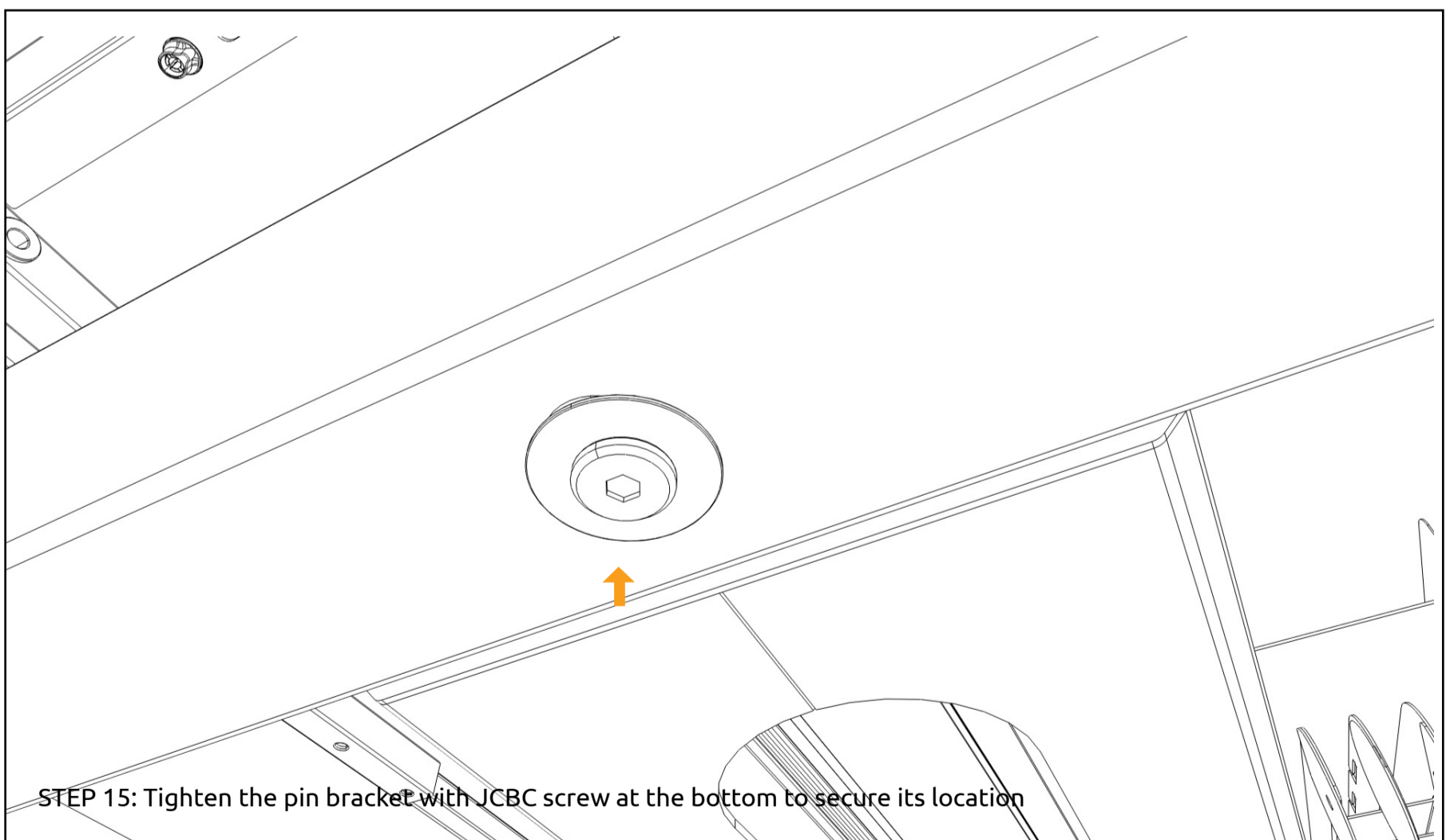
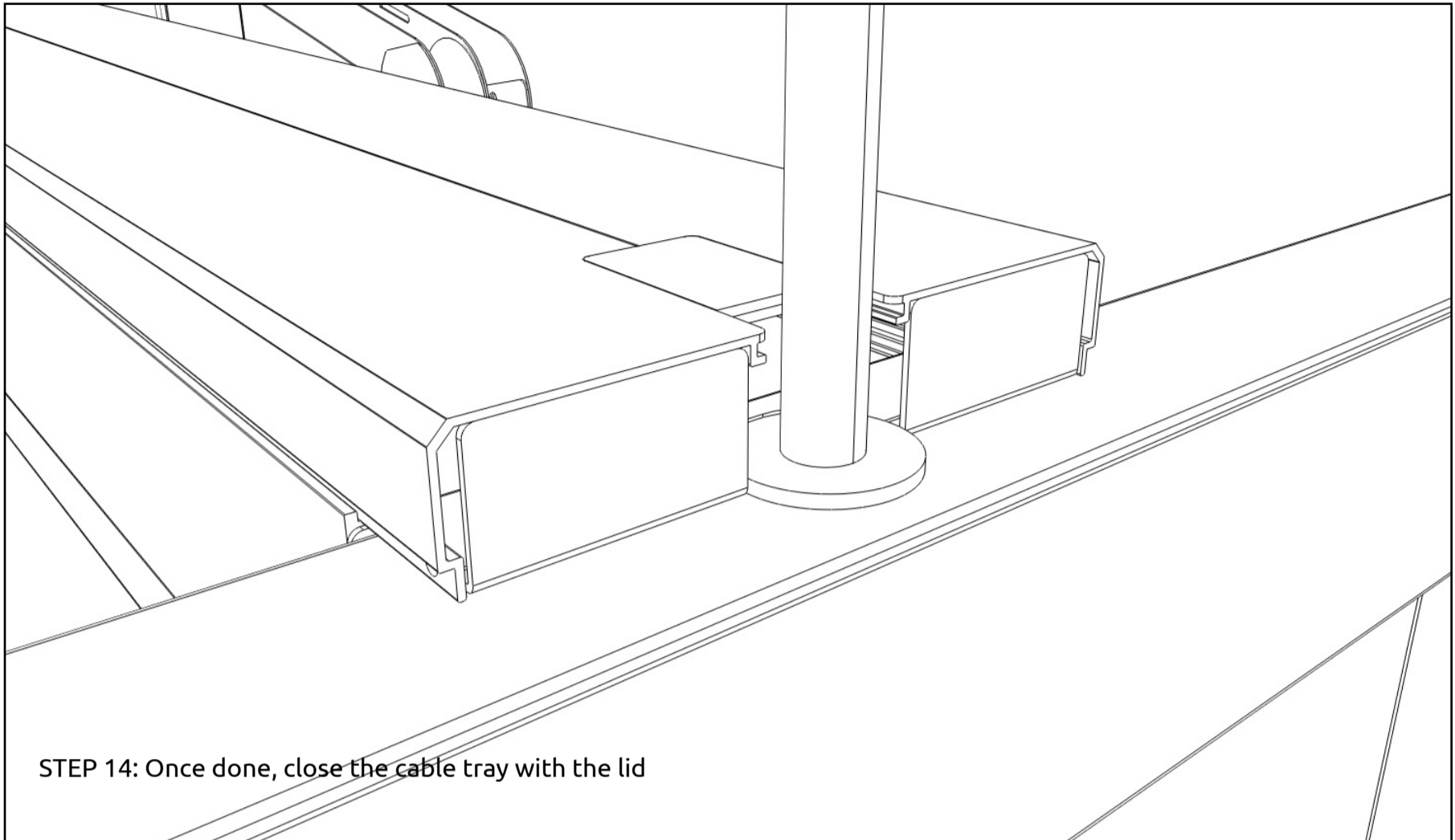
STEP 9: Slide in the table top towards the cable gutter



STEP 10: Do the same for the other table top

MATRIX PRO FRAMELESS SCREEN BRACKET





MATRIX PRO INTERTRUNK & INBETWEEN LID (OPTIONAL)

