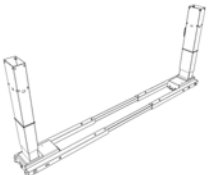
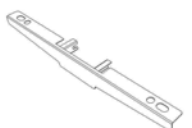






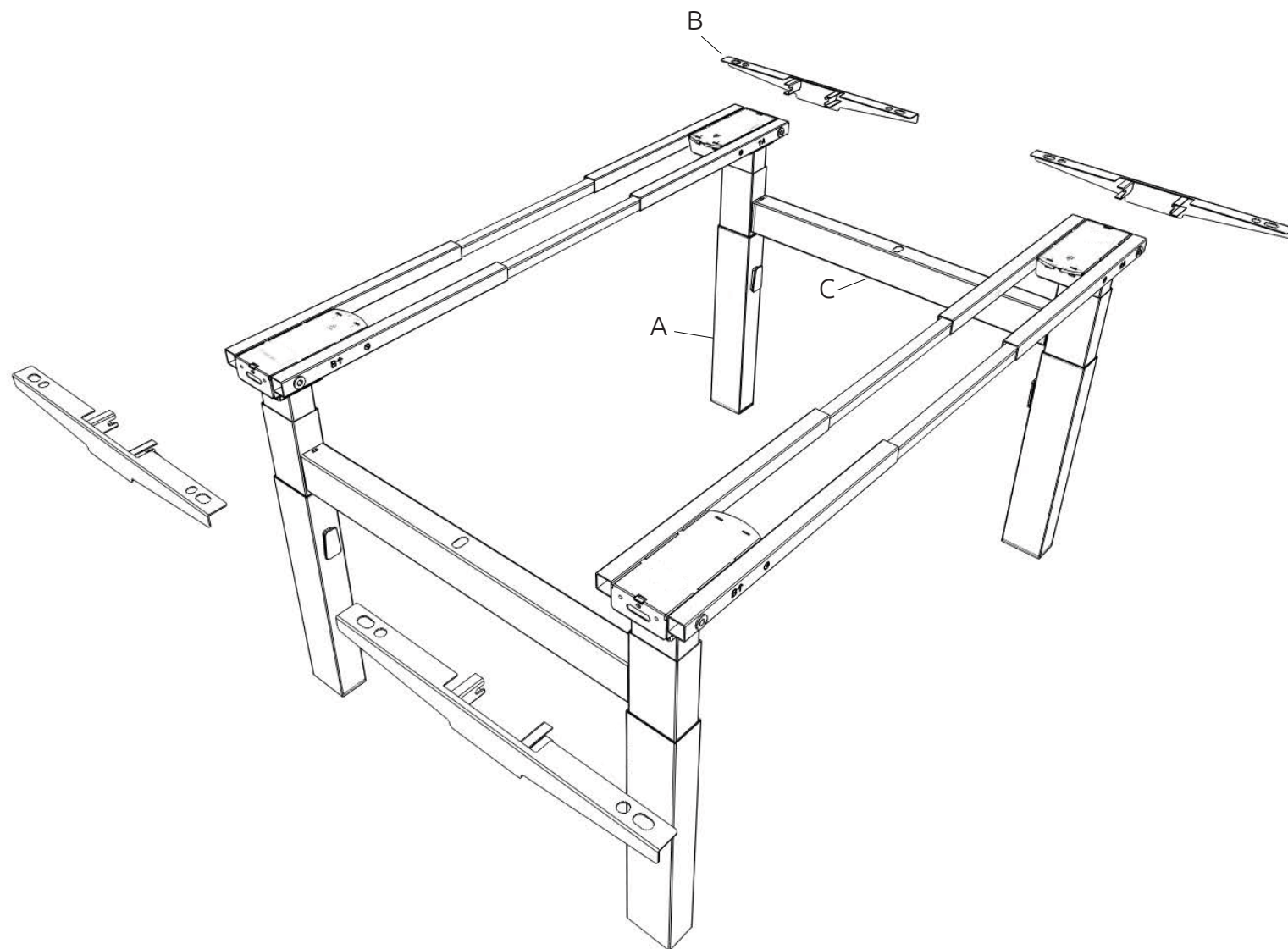
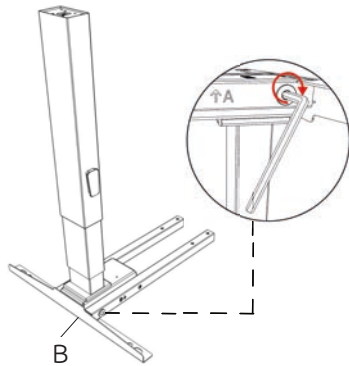


Code	Main Component	Qty
A		2
B		4
C		2
D		2

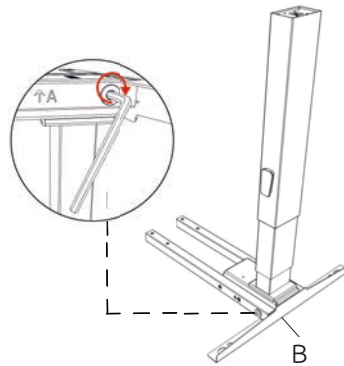
Tools & Manpower	Qty
 2 Manpower	2
 OPTION 1: Power Tool	2
 OPTION 2: Allen Key	
 Mallet	2



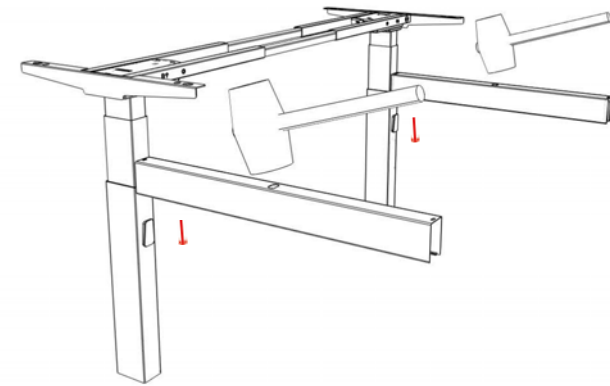
Step 1



Step 2



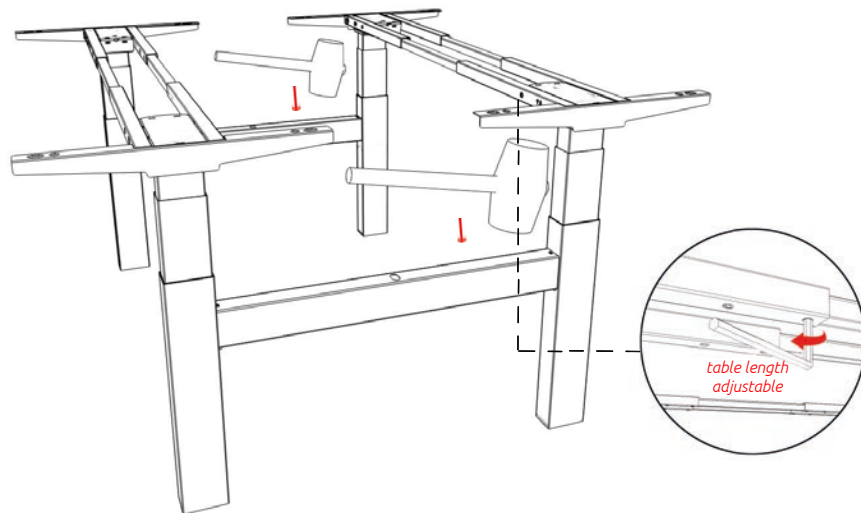
Step 3



Repeat step 1 and step 2 to finish the other parts

Make sure the two legs are from the same box

Step 4



Step 5

